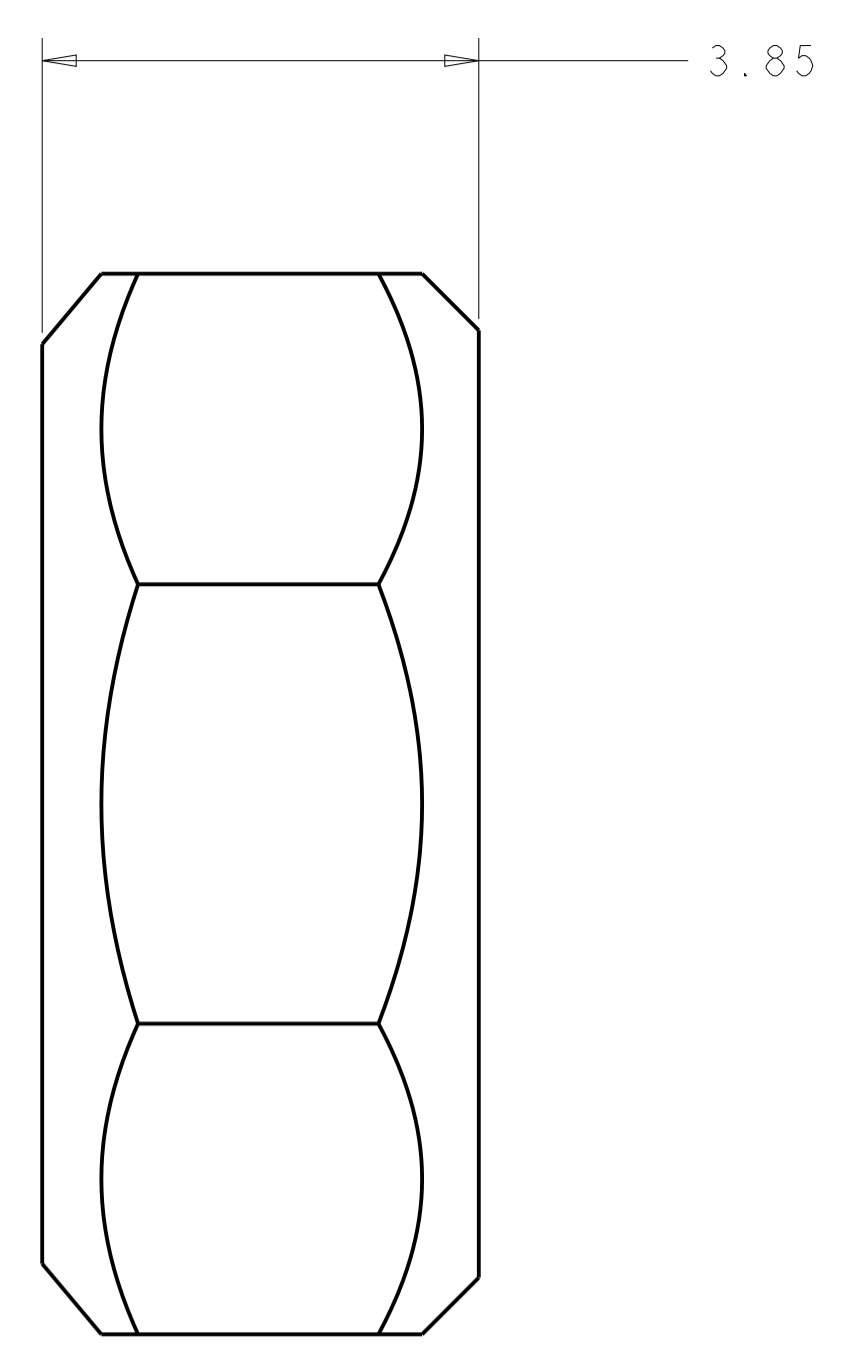
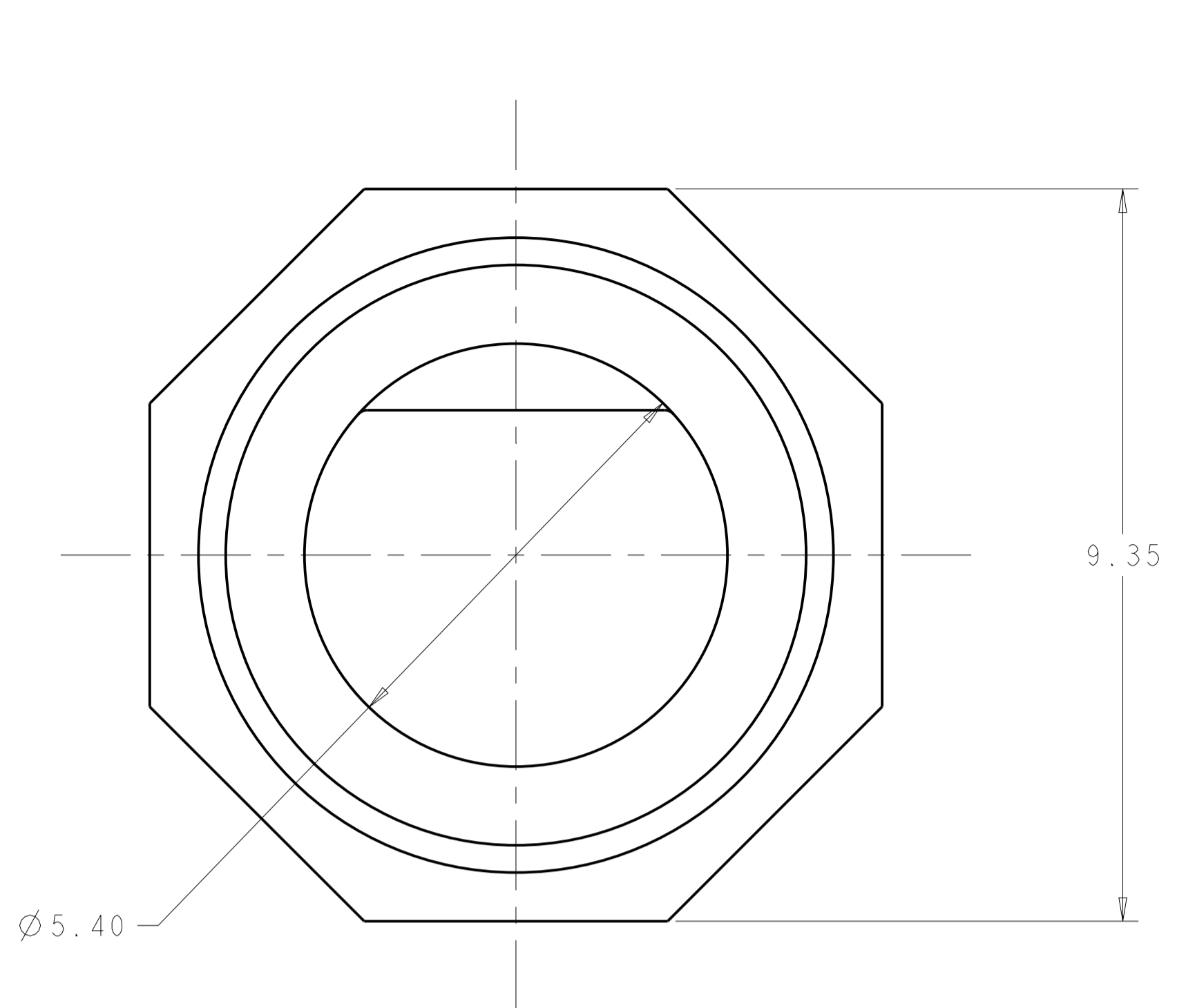
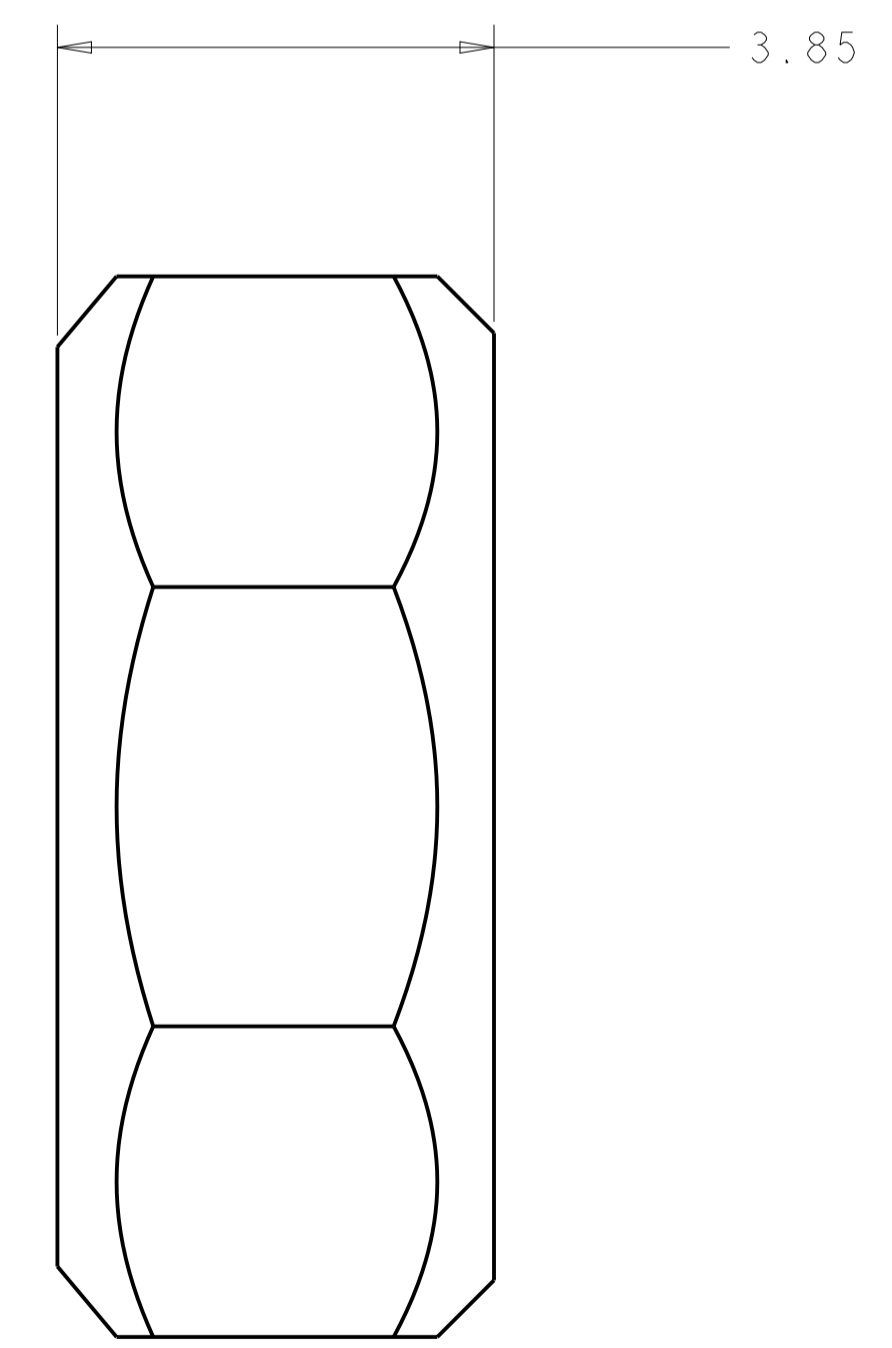
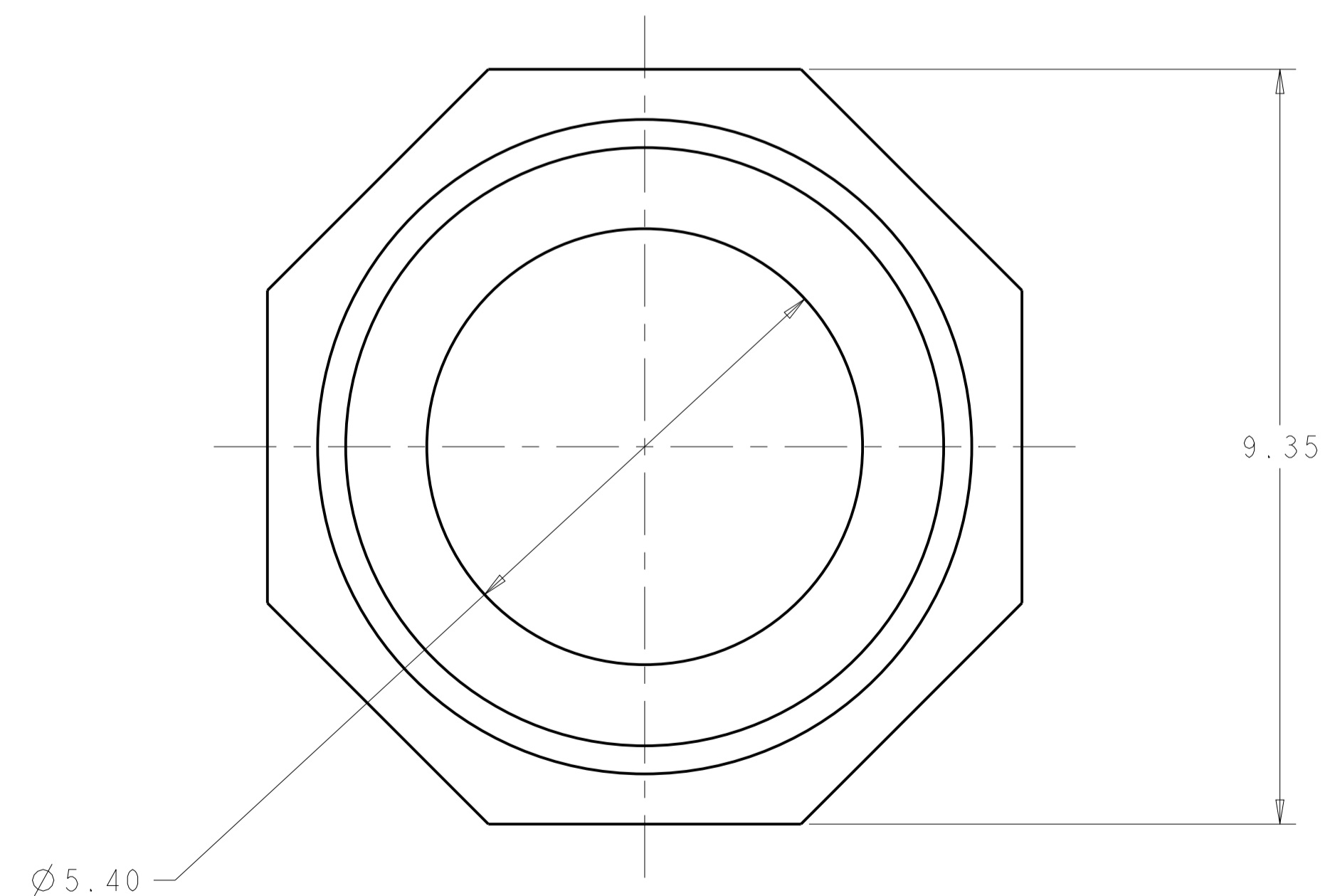


LOC		DIST		REVISIONS			
P	LTN	DESCRIPTION	DATE	DWN	APVD		
A		ECO-13-015101	27SEP2013	DB	KT		
B		REVISED PER ECO-14-007808	29MAY2014	BY	KMT		



**2102503-2**  
(KEYED)



**2102503-4**  
(NON-KEYED)

WEIGHT	DESCRIPTION	PART NUMBER
1.25g	NON-KEYED	2102503-4
1.30g	KEYED	2102503-2

THIS DRAWING IS A CONTROLLED DOCUMENT.		DWN: D. BELACK 10FEB2012	TE Connectivity	
DIMENSIONS: mm		CHK: K. THACKSTON		
TOLERANCES UNLESS OTHERWISE SPECIFIED:		APVD: K. THACKSTON	NAME: FEMALE GUIDE, RECEPTACLE FORTIS Zd METAL SHELL LRU	
0 PLC ±0.13		PRODUCT SPEC: 108-2474	SIZE: A1	
1 PLC ±0.05		APPLICATION SPEC: 408-10464	CAGE CODE: 2102503	
2 PLC ±		WEIGHT: Customer Drawing	RESTRICTED TO: -	
3 PLC ±		FINISH: PASSIVATED	SCALE: 15:1	
4 PLC ±		ANGLES: ±2°	SHEET: 1 OF 1	
MATERIAL: STAINLESS STEEL			REV: B	